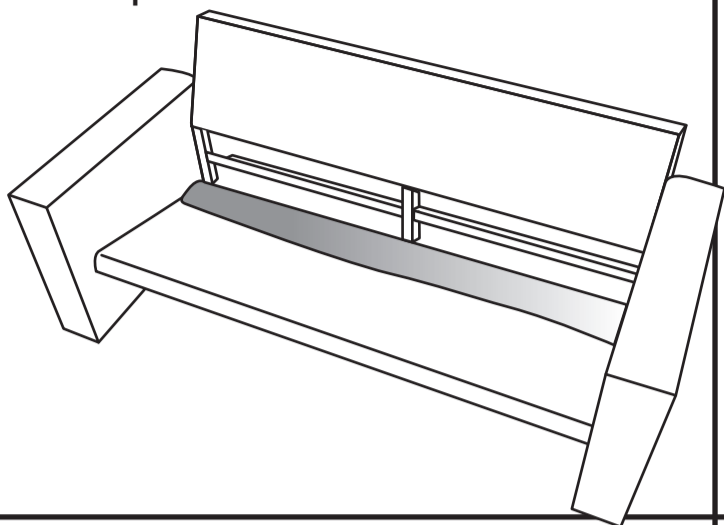
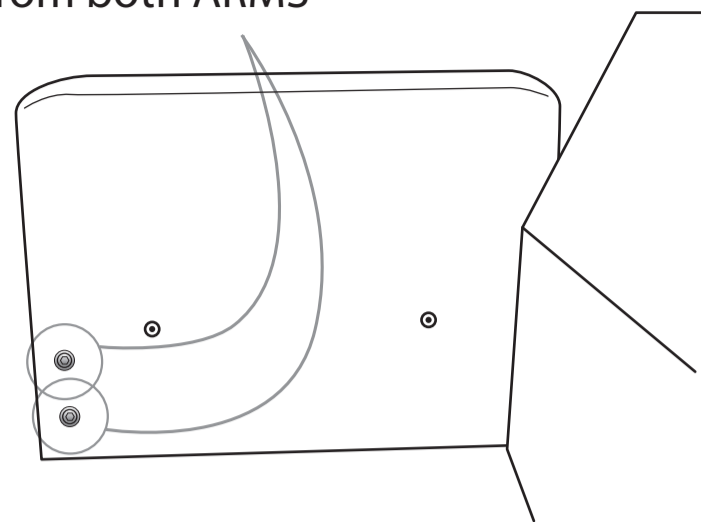


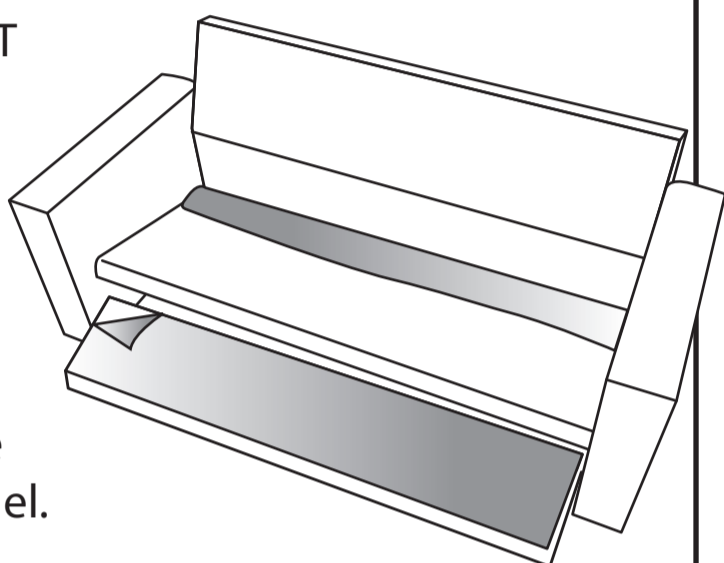
Step 9
Flip SEAT PLATFORM over, ensuring that the fabric flap stays on top of the SEAT PLATFORM



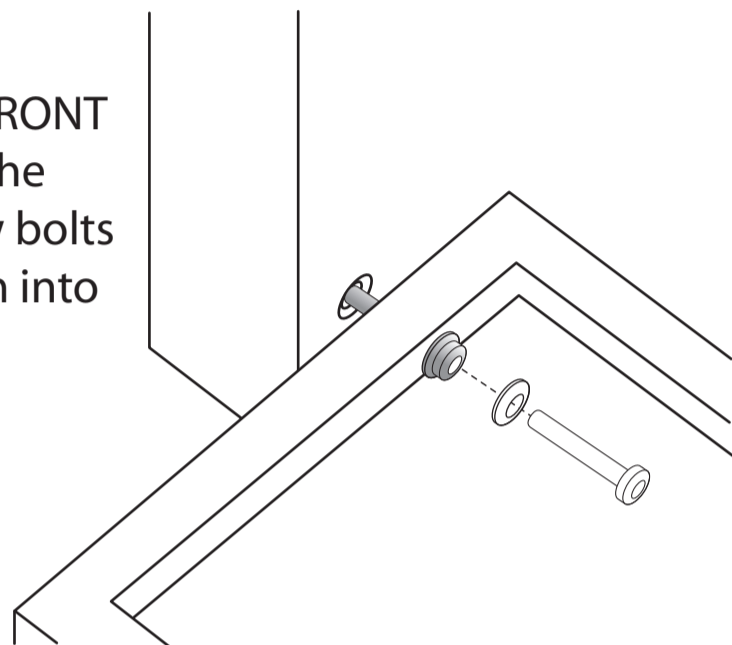
Step 10
Remove these two bolts and washers from both ARMS



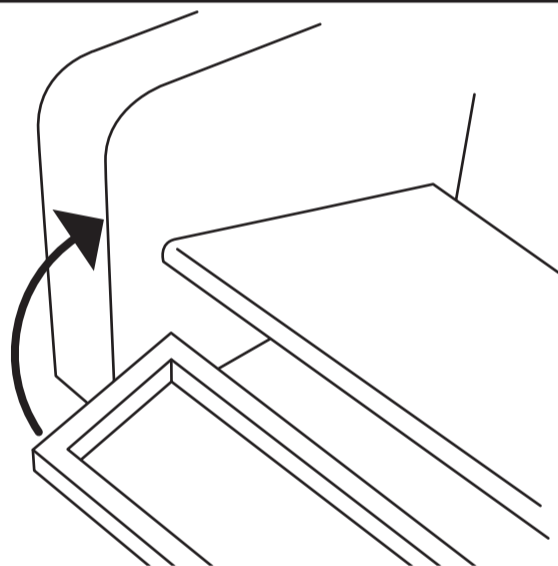
Step 11
Place the FRONT BORDER upside down between the ARMS with the label 'TOP' nearest you, and peel back and remove the black fabric panel.



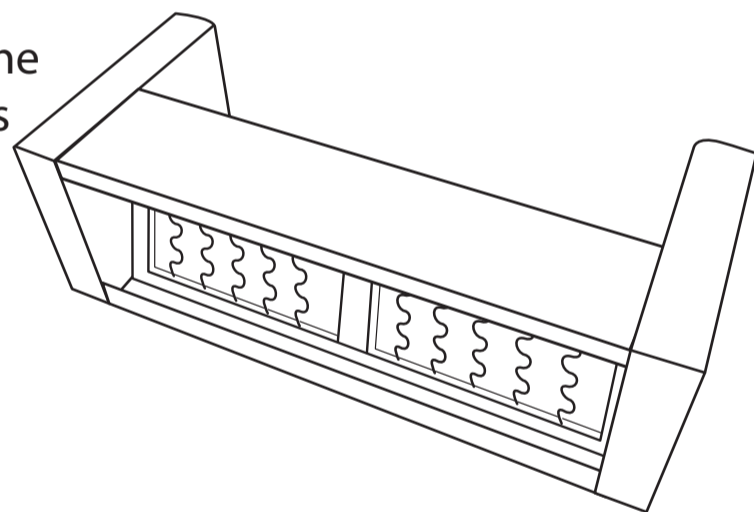
Step 12
Attach the FRONT BORDER to the ARMS. Screw bolts about 15mm into the arms.



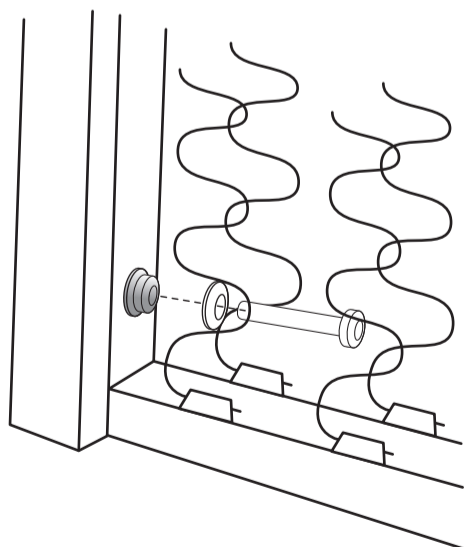
Step 13
Rotate the FRONT BORDER into an upright position.



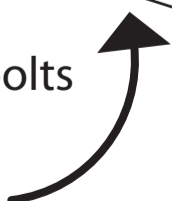
Step 14
Gently tip the sofa onto its back.



Step 15
Locate and bolt the rear of the SEAT PLATFORM to the ARMS ensuring that the bolt removed from this part of the ARM is used. Screw bolts about 15mm into the ARMS.



It is sometimes easier to locate these bolts in the ARMS if the SEAT PLATFORM is lifted slightly so.



Step 16
Locate and bolt the top of the FRONT BORDER to the ARMS. Screw bolts about 15mm into the ARMS.

