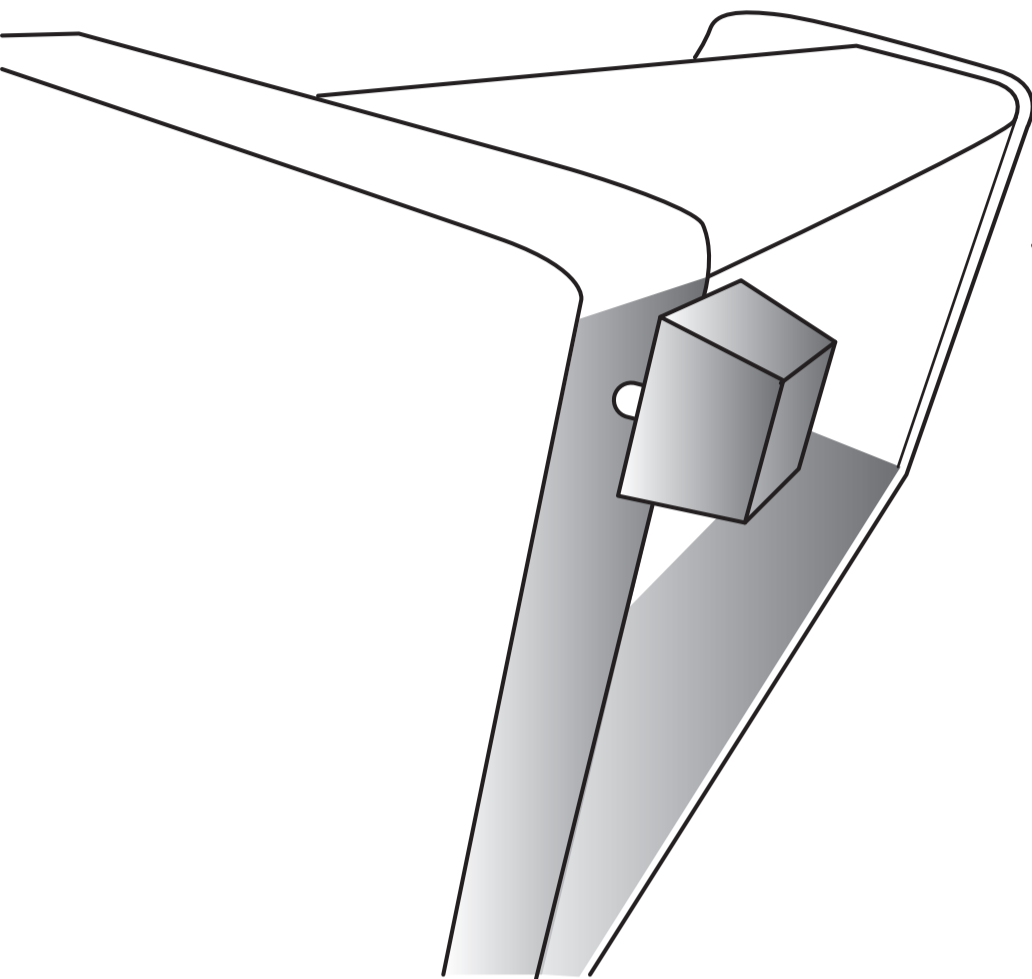


### Step 17

Add the front feet or glides and rear glides.

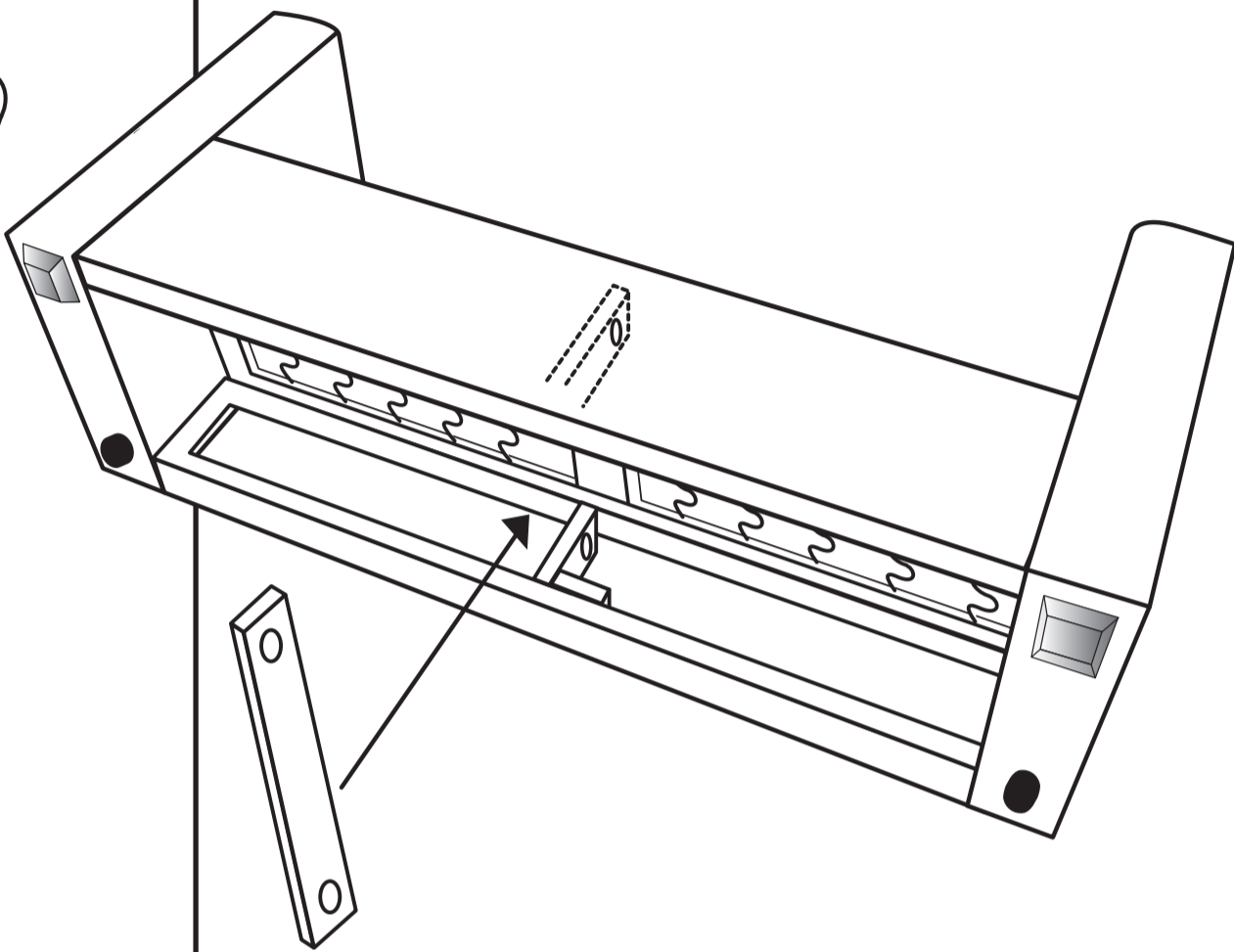
Now is time to tighten all the bolts with your hex key! Please see note at the bottom of page.



### Step 18

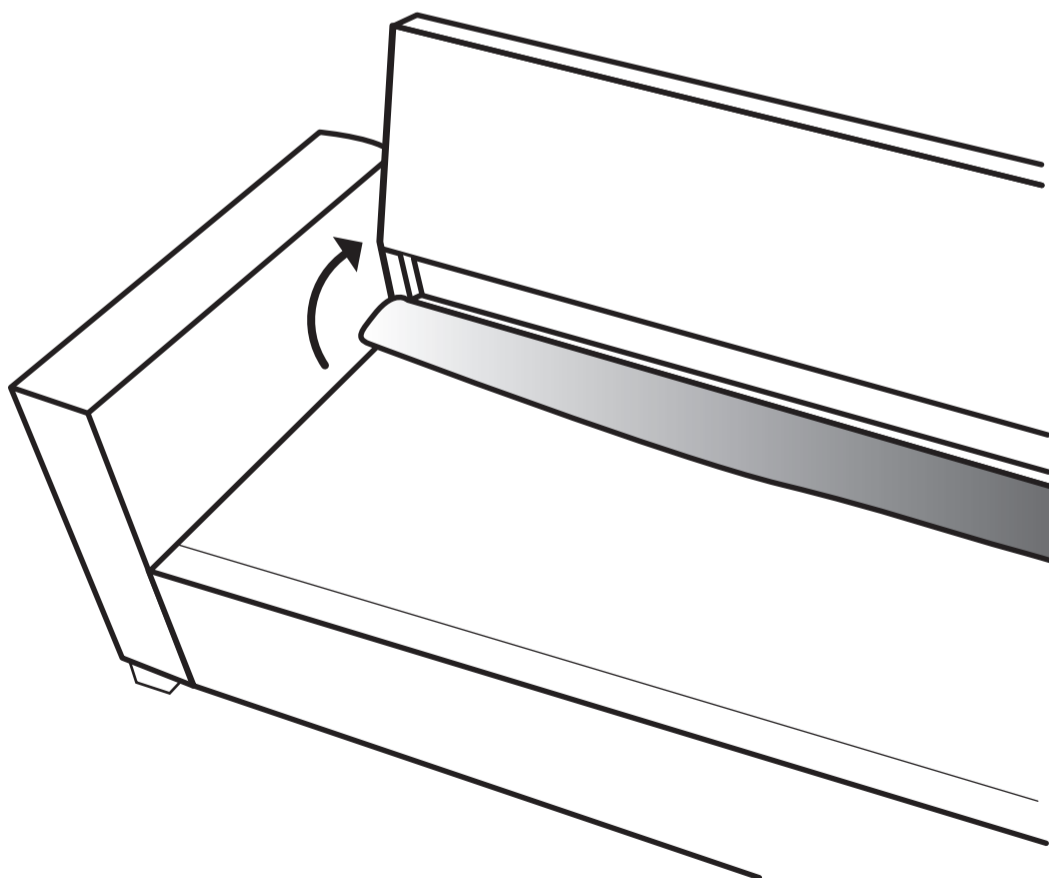
Remove the bolts and washers from the centre of the BACK and the centre of the FRONT BORDER and use these to fix the seat brace.

Whilst tightening the bolts please push the brace firmly against the centre piece of the seat platform.



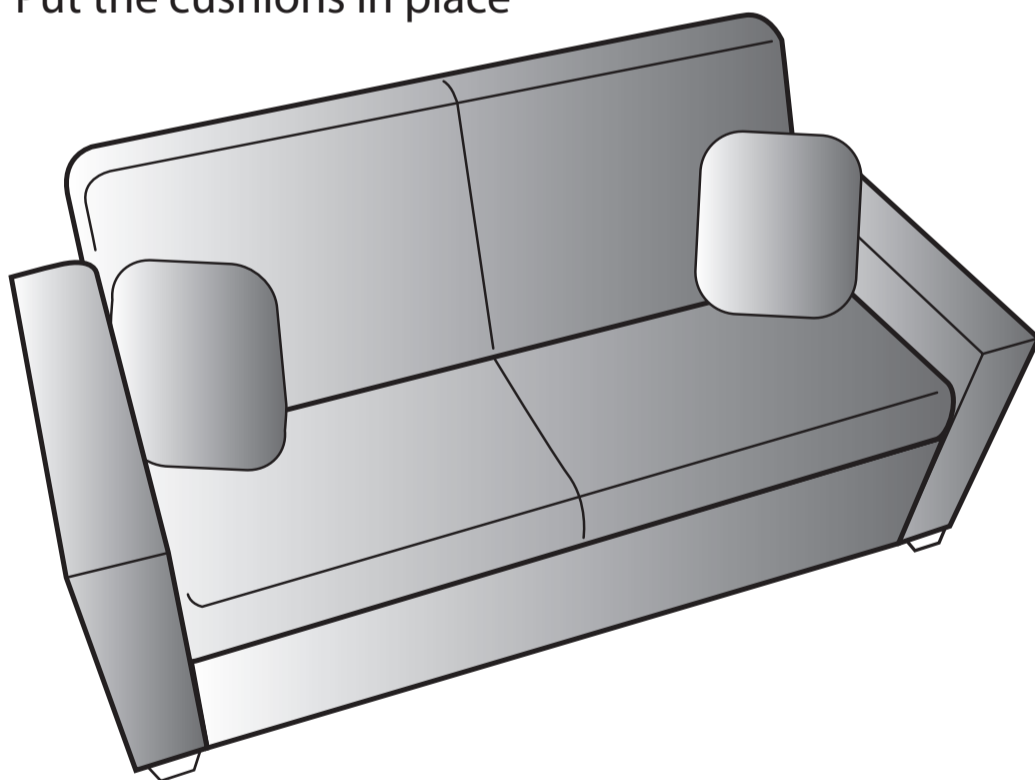
### Step 19

After tightening the top bolts holding the BACK to the ARMS attach the fabric flap at the back of the SEAT PLATFORM to the velcro on the BACK



### Step 20

Put the cushions in place



Please use the hex key to tighten all the bolts in the following sequence:  
1. Back to arms; top bolts 2. Back to arms; bottom bolts 3. Seat platform to arms; rear bolts 4. Seat platform to arms; front bolts 5. Front border to arms; top bolts 6. Front border to arms; bottom bolts