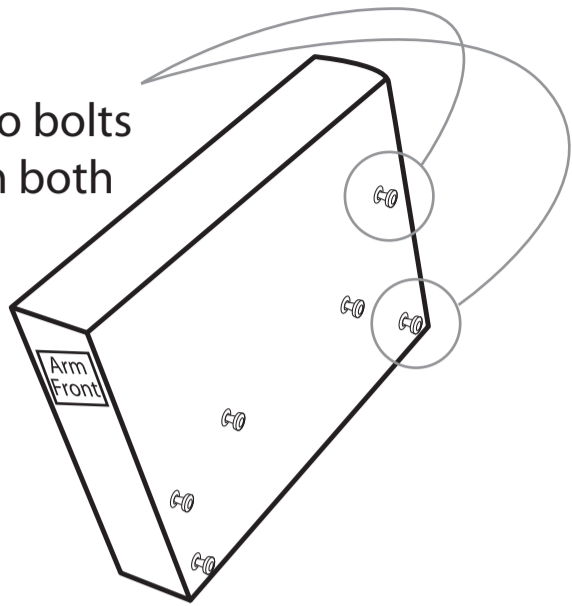




It is important when assembling the sofa not to cross any of the threads. To help with this please initially insert all of the bolts using fingers only. Please use the hex key to tighten all of the bolts only at the very end of assembly operation as described here.

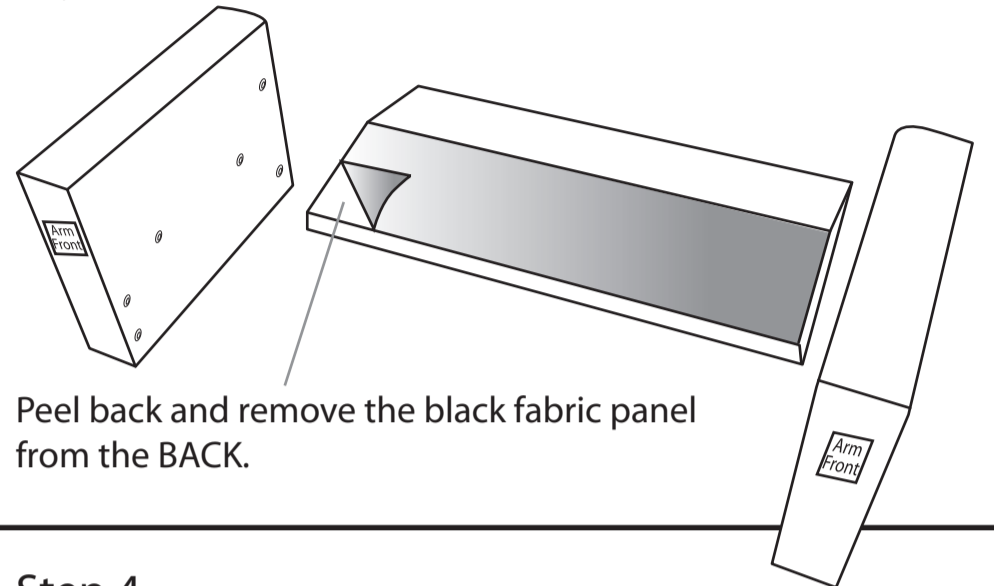
Step 1

Remove these two bolts and washers from both ARMS



Step 2

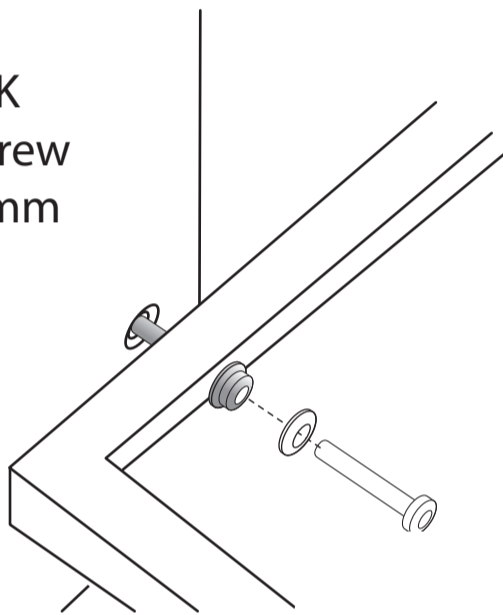
Lay out the 2 ARMS and BACK



Peel back and remove the black fabric panel from the BACK.

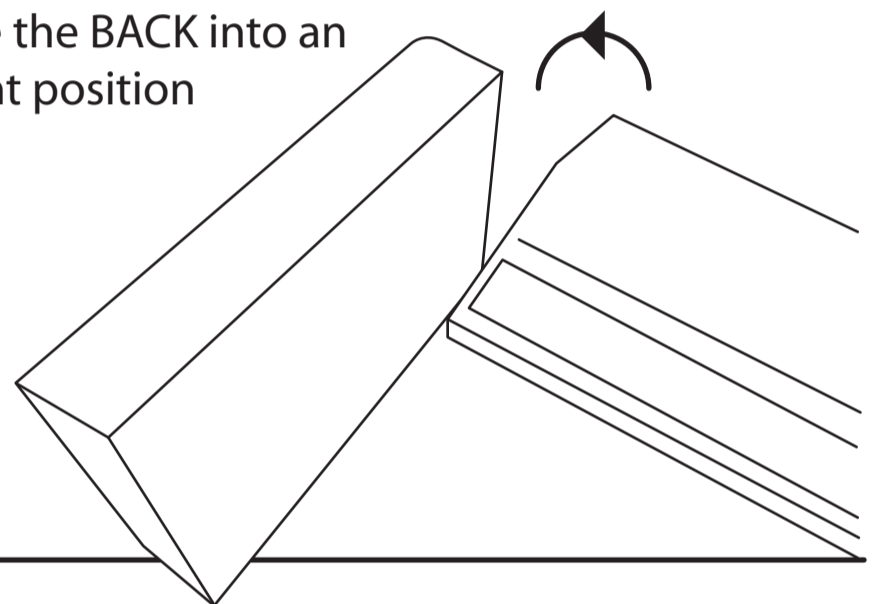
Step 3

Attach the BACK to the ARMS, screw bolts about 15mm into the arms.



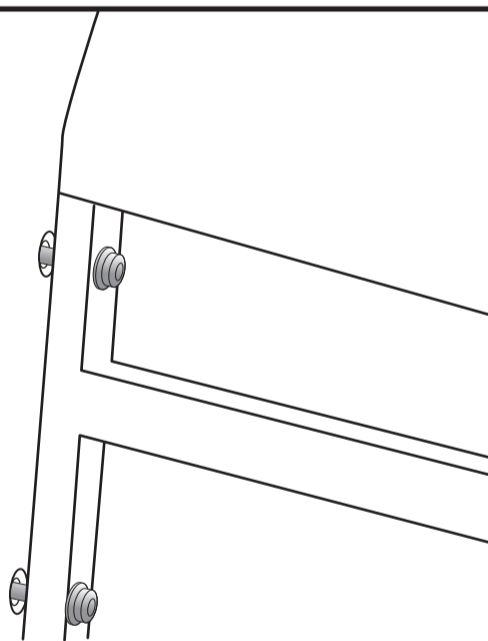
Step 4

Rotate the BACK into an upright position



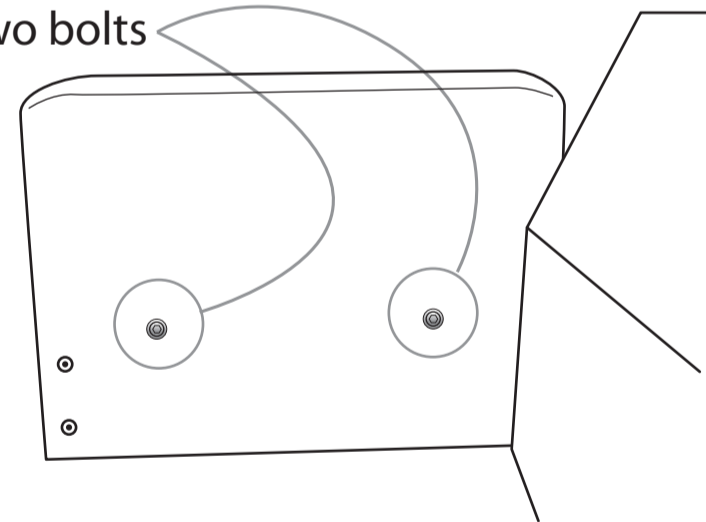
Step 5

Locate and fasten bolts, again screw bolts about 15mm into the arms.



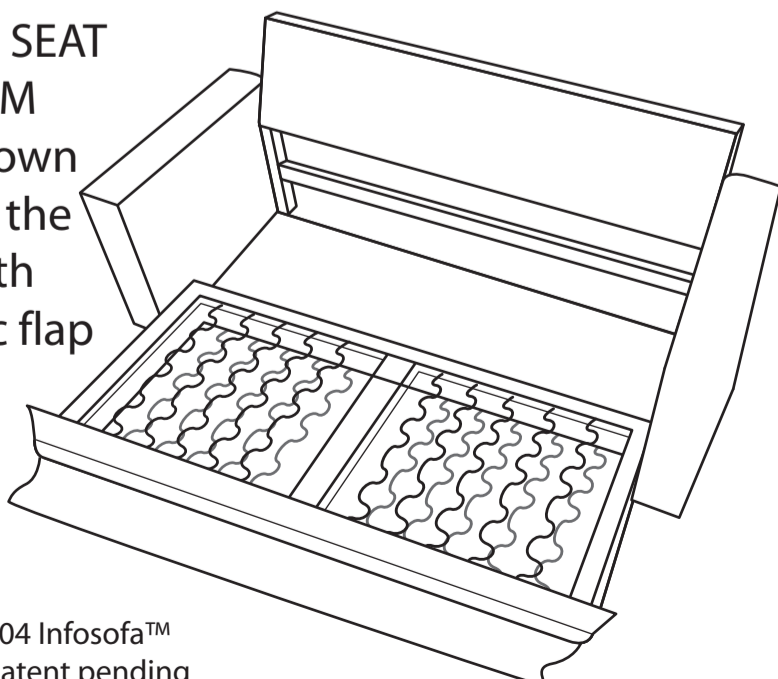
Step 6

Remove these two bolts and washers from both ARMS



Step 7

Place the SEAT PLATFORM upside down between the ARMS with the fabric flap nearest to you



Step 8

Locate and fasten the front bolts. Again, screw bolts 15mm into arms.

